

# AVK-P1000

## PTZ CONTROLLER W/ LCD SCREEN



## PTZ CONTROLLER W/ LCD SCREEN

PTZ Controller w/ LCD Screen, RS422/RS485, Multiple Protocol, Shortcut Controls, Programmable Transmission Speed, Control up to 31 cameras

The AVYCON AVK-P1000 is a universal keyboard of security monitoring series, which can control integrate dome camera with all kinds of protocols matrix and DVR, which has been equipped with 3D joystick and 2D joystick which can control the revolving of the camera and the zoom magnification of lens; with the LCD screen and the function of back-light; which can display the current operation order, the control protocol name, the current dome ID, the current monitor ID and the state of joysticks. The user can control the CCTV system more easily with the joystick and the LCD screen.

## FUNCTIONS

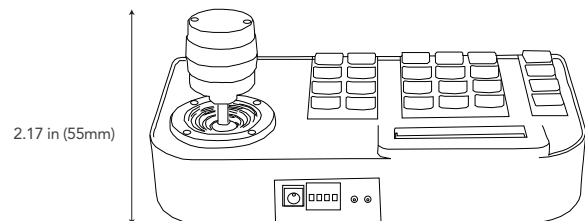
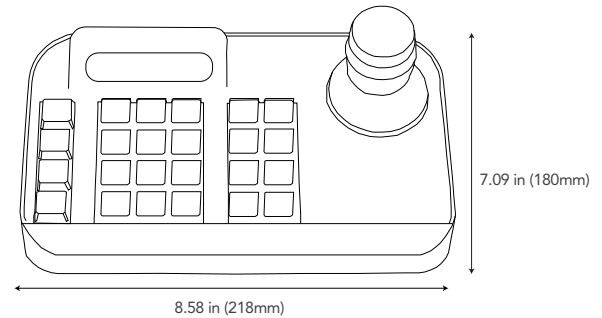
- Rs485 Bus Line, and a keyboard can connect 31 domes at most in the direct control mode.
- It can be compatible with all kinds of protocols.
- You can control the Iris, Locus, and Zoom.
- You can set and call the preset, run scan, pattern, and tour.
- You can control the matrix and through which can control the dome indirectly.
- It has been equipped with the 2D/3D joystick and the larger LCD screen.

## SPECIFICATIONS

ELECTRICAL	
Input Voltage	9V-12V AC/DC
Rated Power	2.5W
COMMUNICATION	
Interface	RS485x1, RS422x1, RJ45
Frequency	2400, 4800, 9600, 19200Bps
Distance	1.2 km (RS485 and RS422 can achieve it)
OPERATIONAL ENVIRONMENT	
Operating Temperature	0°C~50°C
Relative Humidity	Less than 90%
PHYSICAL PROPERTY	
Size	218L x 180W x 55H (mm)
Weight	630g (Net Weight)

## DIMENSIONS

Unit : inch (mm)



**AVYCON**<sup>®</sup>

Copyright © AVYCON. All rights reserved. Specifications and pricing are subject to change without notice.